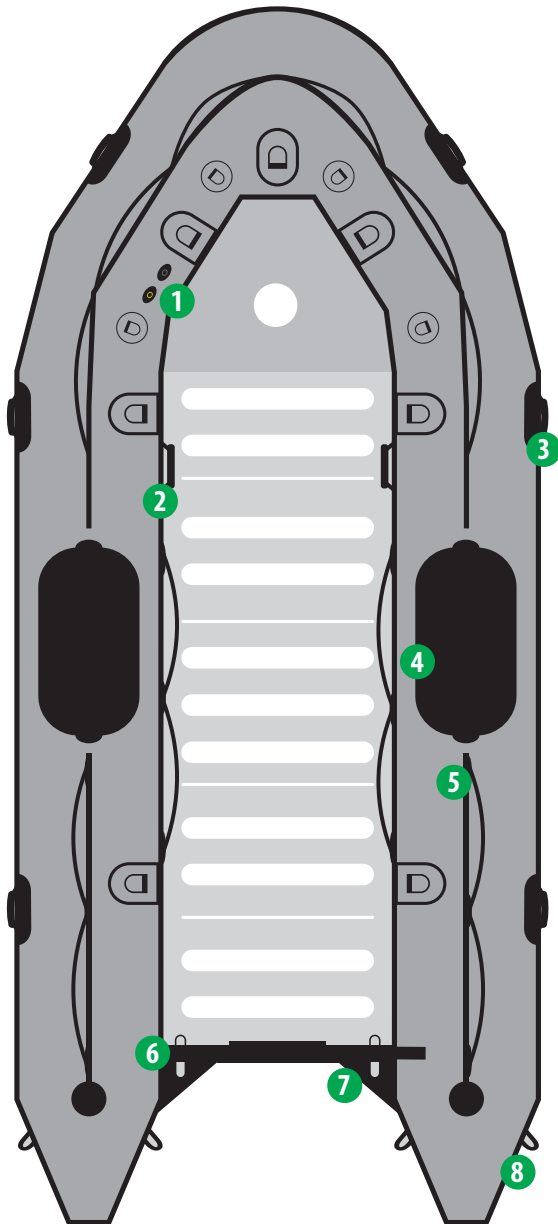


**LAYOUT**



**MODEL COLORS**



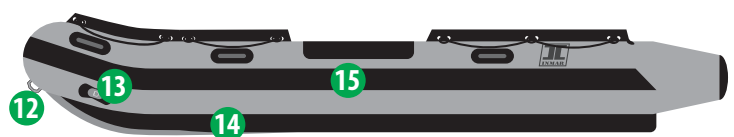
**FEATURES**

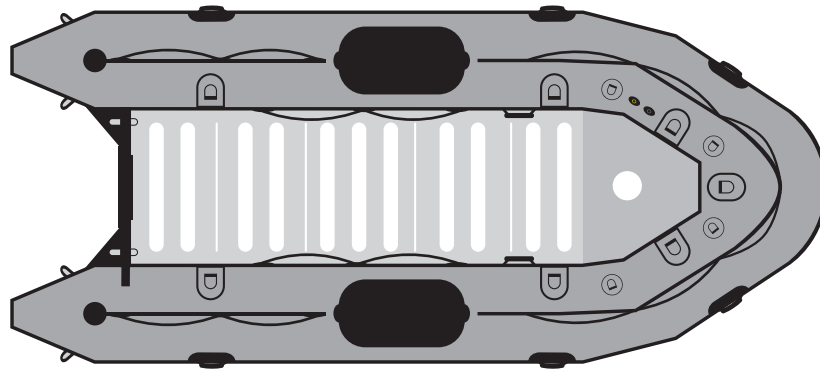
- 1.- Inflation and over inflation valves (One for each air chamber)
- 2.- Interior grab handles
- 3.- Exterior carry handles, non-slip design
- 4.- Dive patch
- 5.- Lifelines (Peripheral)
- 6.- Transom lifting rings (Stainless steel)
- 7.- Splash guard
- 8.- Two large D-rings on rear tubes (Stainless steel)
- 9.- Epoxy coated plywood transom
- 10.- Standard self bailer with plug (Pop-up design)
- 11.- Performance tubes (Optional)
- 12.- Bow handle (Stainless)
- 13.- Two large tow rings on bow (Stainless steel)
- 14.- Keel rub strake
- 15.- All around rub strake, flat profile, black

**REAR**



**SIDE**





### CAPACITY

Passenger capacity: \_\_\_\_\_ 6  
 Max payload: \_\_\_\_\_ 1,750 lbs  
 Floorboard usable area: \_\_\_\_\_ 22,2 ft<sup>2</sup>  
 Buoyancy tube volume: \_\_\_\_\_ 36,4 ft<sup>3</sup>

### FABRIC

Hypalon (CSM), Orca 866 (military grade), 1670 dtex

### VALVES

Inflation valves on main tube: \_\_\_\_\_ 4  
 Keel inflation valve: \_\_\_\_\_ 1  
 Overinflation valves: \_\_\_\_\_ 4

### REINFORCEMENTS

All around rub strake, flat profile, black: \_\_\_\_\_ 1  
 Flat rub strake underneath keel, black: \_\_\_\_\_ 1  
 Splash guard: \_\_\_\_\_ 2

### HANDLING

Lateral carrying handles: \_\_\_\_\_ 6  
 Exterior lifeline (peripheral): \_\_\_\_\_ 3  
 Interior lifelines: \_\_\_\_\_ 2  
 Interior large tie down D-Ring: \_\_\_\_\_ 7  
 Bow bag D-Ring: \_\_\_\_\_ 4

### FACTORY WARRANTY

3 years recreational / 1 year commercial

### TRANSOM

Self-bailers \_\_\_\_\_ 1  
 Aluminum engine mounting plate: \_\_\_\_\_ 1  
 Transom sacrificial plate (marine plywood) \_\_\_\_\_ 1

### ENGINE (aluminum floor)

Recommended power (aluminum floor) \_\_\_\_\_ 20 HP  
 Max power (aluminum floor): \_\_\_\_\_ 30 HP  
 Shaft length: \_\_\_\_\_ 20" long shaft  
 Max engine weight: \_\_\_\_\_ 175 lbs

### DIMENSIONS

Overall length: \_\_\_\_\_ 12' 5"  
 Inner length: \_\_\_\_\_ 8' 7"  
 Overall width: \_\_\_\_\_ 6' 5"  
 Inner width: \_\_\_\_\_ 3' 0"  
 Tube diameter: \_\_\_\_\_ 20"  
 Boat weight with floor: \_\_\_\_\_ 225 lbs

### INFLATION

Air chambers on main tube: \_\_\_\_\_ 4  
 Inflatable keel: \_\_\_\_\_ 1

### TOWING AND LIFTING

D-Rings: \_\_\_\_\_ Stainless steel  
 Bow carrying handle: \_\_\_\_\_ 1  
 Rear large towing D-Ring: \_\_\_\_\_ 2  
 Rear lifting points in transome: \_\_\_\_\_ 2

### SHIPPING INFORMATION



#### BOAT

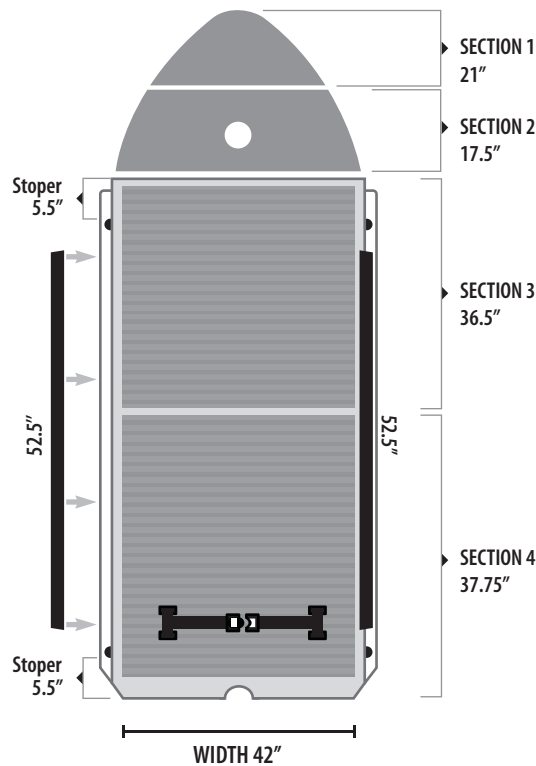
- Package dimensions: 52x34x20
- Package weight: 193 lbs.



#### FLOOR

- Floor dimensions: 45x40x7
- Floor package weight: 109 lbs.

**FLOOR OPTIONS**



**ALUMINUM FLOOR**

24 mm profile gauge  
5086 marine grade-treated  
Non skid EVA traction pads

- Front floor boards (marine plywood) \_\_\_\_\_ 2
- Aluminum sectional flooring \_\_\_\_\_ 2
- Side locking rails \_\_\_\_\_ 2

*\*Floor must be removed prior to roll-up storage*

**OPTIONAL EQUIPMENT**



Quick inflation system



SCBA Adaptor



High flow scuppers



Bow bag



6 gl fuel bladder



Performance tubes

1



2



3



4



5



6



7



8

