

ENGINE PACKAGE INCLUDES

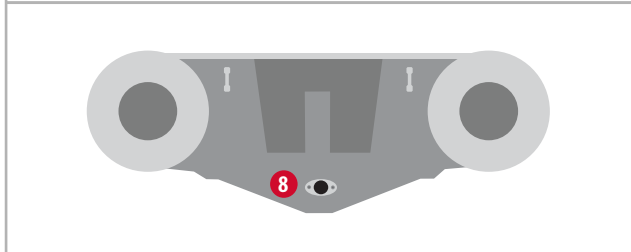
30hp suzuki (DF30ATL) power trim & tilt
Euro style aluminum console
12 volt marine battery
3 gallon fuel tank

Rotary steering system
Non slip stainless wheel
Easy shift engine control w/ key

**Engine packages delivered turn key ready*

SPECIFICATIONS

Weight capacity: 5 persons / 1,124 lbs.
Weight: 428 lbs. (w/ engine and fuel)
Rated: 30 HP / 158 lbs / Long shaft (20")
Air chambers: 3
Hull: Aluminum 4.2 mm (5086 marine grade)
Fabric: Hypalon
Factory warranty: 5 years recreational

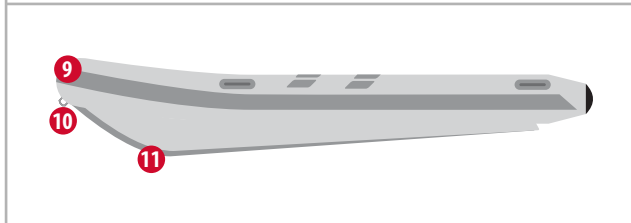


FEATURES

- 1.- Bow locker
- 2.- Bow lifting eyes
- 3.- Valves
- 4.- Non skid floor
- 5.- Console
- 6.- Transom lifting eyes

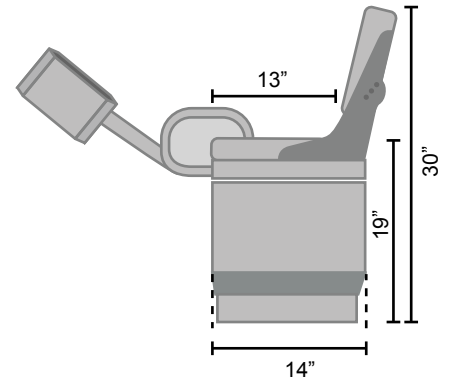
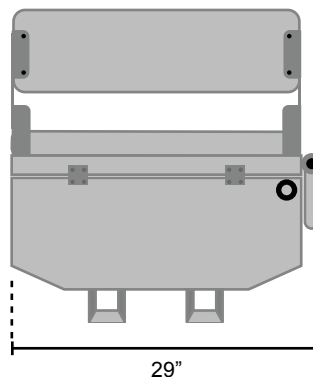
FEATURES

- 7.- Handle
- 8.- Scupper deck drain & plug
- 9.- Heavy duty double rub strake
- 10.-Bow eye
- 11.-Keel strip



CONSOLE SPECIFICATIONS

Weight: 86 lbs.



ACCESSORIES



Repair kit (1)

Foot pump (1)



1 collapsible oar

ACTUAL PHOTOS



Bow locker



Back view



Side view



Console



Seat storage



Fuel tank and battery